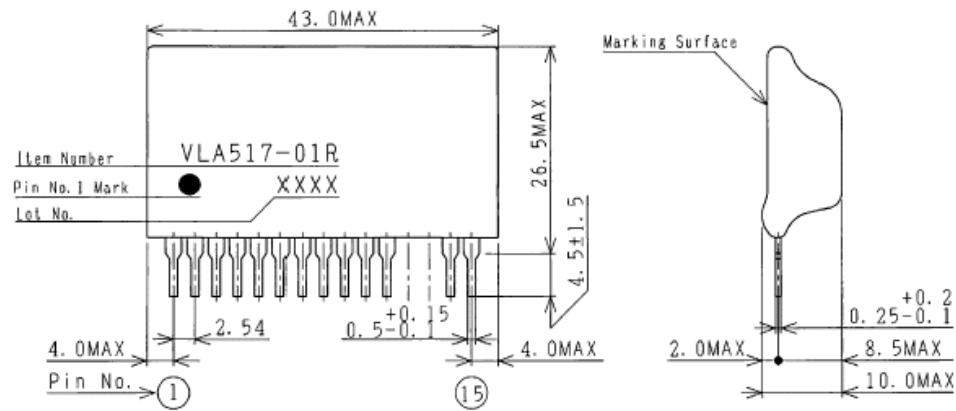


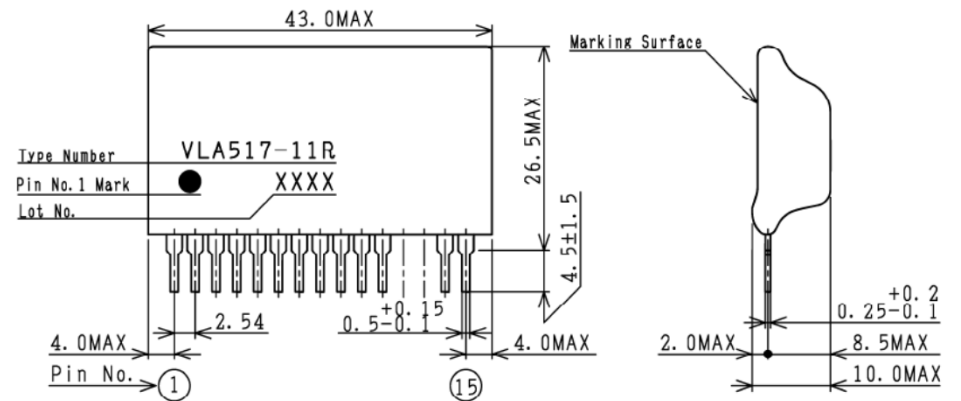
VLA517-01R V.S. VLA517-11R outline block diagram and electrical characteristics

Outline

VLA517-01R

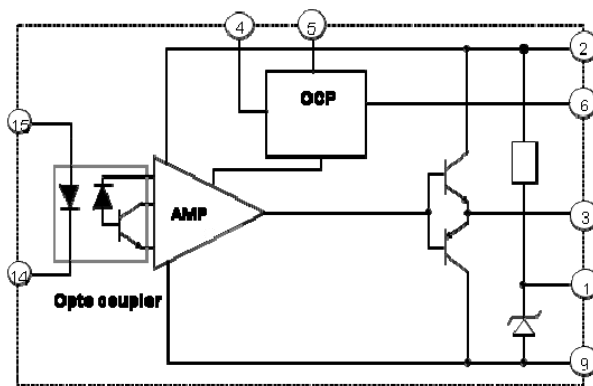


VLA517-11R

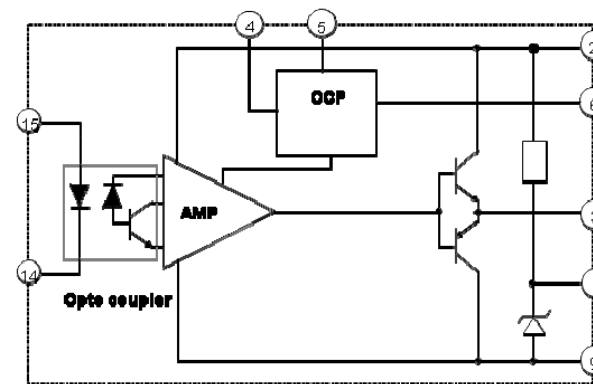


Block diagram

VLA517-01R



VLA517-11R



Maximum Ratings (unless otherwise noted, Ta=25° C)

Items	Symbol	Conditions	Rated value	
			VLA517-01R	VLA517-11R
Power supply voltage	Vcc		25V	25V
Photo coupler input current	Iin		25mA	25mA
Forward bias output current	Ig1	PW=2ms、duty=0.05 or less	4.0A	4.0A
Reverse bias output current	Ig2	PW=2ms、duty=0.05 or less	4.0A	4.0A
Isolation voltage	VISO	AC50Hz/60Hz,1min	2500V	2500V
Operation temperature	Tc		-25 +85°C	-25 +85°C
Storage temperature	Tstg		-25 +125°C	-25 +125°C

Electrical characteristics (Ta=25°C, Vcc=20V, IF=10mA)

Items	Symbol	Conditions	Rated value			
			VLA517-01R		VLA517-11R	
			Typ.	Max.	Typ.	Max.
Switching time 1	ton			1.5us		1.5us
Switching time 2	toff			1.5us		1.5us
OCP operating voltage	Vocp		8.5V		8.5V	
OCP delay time	tocp			10us		10us
Alarm delay time	tARM			1.5us		1.5us
Reverse bias power supply voltage	VRB	IF=0A	5V		5V	
Opto coupler Common mode transient immunity	dv/dt		P-P, 1000V-5000V/ms		P-P, 1000V-5000V/ms	